

T20E

Economy office SIP phone

2 User accounts & 2 Line Keys

2 x 16 Line LCD

HD Voice Quality

Full Interoperability with IP Centrex, Hosted Platforms & IPPBX's

Simple Web Browser user interface

Full Auto Provisioning via FTP, TFTP, HTTP and HTTPS

Highly Secure with SRTP and TLS

Handsfree, Dual Ethernet ports and headset support as standard



The T20E features a 2 line LCD display and 9 function keys for simple integration into various SIP based network solutions where basic business feature requirements and demanding budgets are the main influences on buying decisions.

T20E

Network Features

SIP v1(RFC2543), v2(RFC3261)
 3 User accounts
 NAT Transverse: STUN mode
 IP Assignment: Static/DHCP/PPPoE
 In-Band DTMF, Out-of-Band DTMF, SIP
 Info
 Proxy mode and Peer-to-peer SIP link
 mode
 TFTP/DHCP/PPPoE client
 Telnet/HTTP server
 DNS client
 NAT/DHCP server
 Support VLAN, Qo
 VPN Support

Voice Features

Wideband Codec: G.722, voice
 spectrum between 50-7000Hz
 Narrowband Codecs: G.711, G.726,
 G.723.1/iLBC, G.729AB and GSM
 VAD, CNG, AEC, PLC, AJB, AGC
 Full-duplex hands-free speakerphone

Telephony Features

Call Hold, Call Waiting,
 Call Transfer, Call Forward
 300 name/number phonebook
 Caller ID, Call List, DND, Redial, Flash
 3-way Conference, Speed Dial
 Personal Ring Tone, Voicemail
 Volume Adjustment, Mute,
 Speakerphone

IP PBX System Integration

Dial Plan, Dial-now, Paging
 Downloadable enterprise phonebook
 Call Park, Call Pickup, Distinctive
 Ringtone
 Auto-answer, intercom

Config, Upgrade and Usage

OpenVPN support
 Firmware Upgrade: TFTP/Console/
 Auto-provision
 Auto-provision: TR069, https, http, ftp,
 tftp, PnP
 Direct IP call without SIP proxy
 Dial number via SIP server
 Dial URL via SIP server

Security

Secure RTP
 Digest authentication using
 MD5/MD5-sess
 Secure configuration file via AES
 encryption

Physical Features

TI Titan Chipset
 LCD: 2 Lines, 2x16
 2 programmable keys
 23 hard keys, 2 indication LEDs
 Headset port: RJ9
 Network Interface: 2xRJ45 10/100M
 ports
 Dimension: 185 X 200 X 90 mm
 Net Weight: 1.22 kg
 Power adapter: Input: AC 100~240V
 Output: DC 5V/1A
 Operating humidity: 10~95%
 Storage temperature: up to 60 C

Package Features

Qty per Carton: 10
 Carton Weight: 13.3 Kgs
 Carton Dims: 565 x 570 x 255 mm

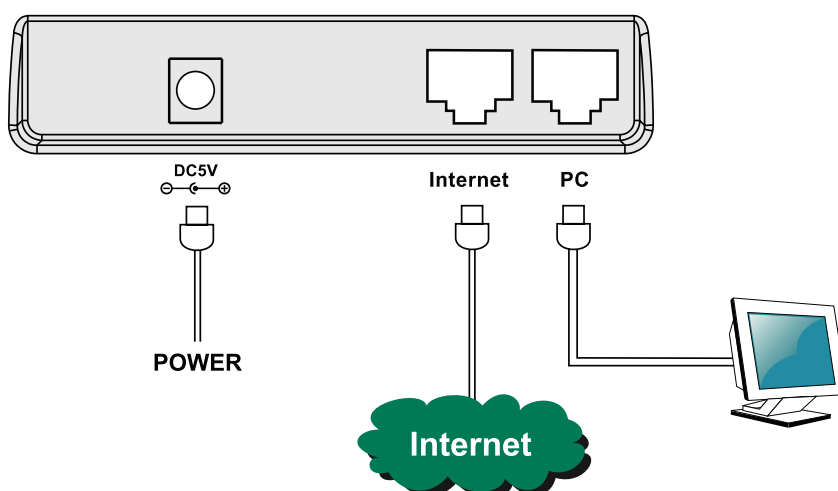
Certifications



WEEE Compliant



ROHS Compliant



Yealink

EASY VoIP