

T18PN

Entry level Business Class IP Phone



Optional



As Standard

T18PN is a compact IP business phone with the renowned TI Titan chipset. Supporting a feature set that defies its price, the T18PN is the intelligent purchase for reliable IP business performance.

T18PN

Voice Features

Voice Codecs: G.711, G.723.1,
G.726, G.729AB, G.722,
VAD, CNG, AEC, PLC, AJB, AGC

Phone Features

1 VoIP User Account
Direct IP call without SIP proxy
Call Hold
Call Waiting
Call Transfer
Block Anonymous Calls
Hotline
Redial
2 Speed Dials
Volume Control
Call Mute
Ringtone Selection (via web)
Tone scheme
Integrated Voice Response System

Network Features

SIP v1(RFC2543), v2(RFC3261)
NAT transverse: STUN mode
IP Assignment: Static/DHCP/PPPoE
In-Band DTMF, Out-of-Band DTMF
(RFC2833)
SIP Info
Proxy mode and Peer-to-peer
SIP link mode
TFTP/DHCP/PPPoE client
DNS client
NAT/DHCP server
VPN

IP PBX System Integration

Music on Hold
Intercom
Group Paging
Call Pickup
Call Park
Call Forward
DND
Distinctive Ringing
Dial plan
Dial now
Voicemail
Message Waiting Indication (MWI)

Config, Upgrade and Usage

Configuration: browser/phone
/auto-provision/IVR
Auto-provision: TR069, HTTPS, HTTP, FTP,
TFTP, PnP
Auto provision: firmware
configuration, ringtone etc.

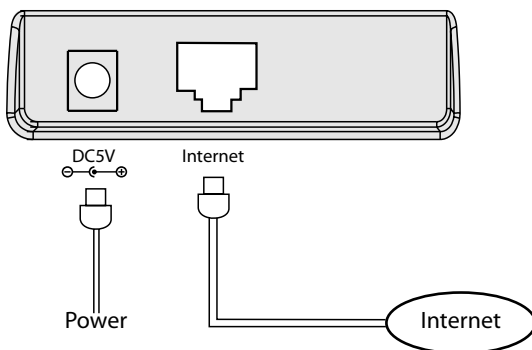
Security

QoS: IEEE 802.1p/q tagging
(VLAN), Layer 3ToS
Digest authentication
using MD5/MD5-sess
Secure configuration file via AES
encryption
Admin/user configuration mode

Physical Features

TI TITAN chipset
20 keys including 2 programmable keys
4 feature keys (Mute/Redial/
Transfer/Hold)
1xLEDs for power and status indication
1xRJ45 10/100M Ethernet ports
Phone label for speed dialing numbers
Optional power adapter: AC 100~240V
input and DC 5V/1.2A Output
Power over Ethernet
(IEEE 802.3af class 1) optional
Operating humidity: 10~95%
Storage temperature: up to 60 C

Certifications



Yealink
EASY VoIP