

# RTE001S Standard Exit Switch

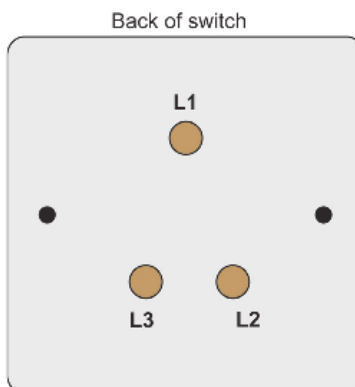
Range: RTE



The RTE001S is a convenient, plastic exit switch for internal use. Supplied with a surface back box, the platform is the UK standard back box, therefore the switch will fit on all UK single gang flush boxes.

The unit employs a sprung-loaded rocker switch, high operates a changeover - therefore offering a normally open or normally closed operation.

“PRESS TO EXIT” is standard text, and this text is engraved and paint-filled for long life.



L1 = Common  
L2 = Normally open  
L3 = Normally closed

## Key Features

- Internal use
- Sprung loaded rocker
- Flush or surface
- High impact plastic
- Changeover switch
- 2 year warranty

## Technical Specification

Dimensions, flush	85 x 85 x 10mm
Dimensions, surface	89 x 89 x 30mm
Switch Output	Changeover
Switching current	3 Amps @ 12VDC
I P Rating	Internal use
Warranty	24 months
Compliance	CE, ROHS & WEEE




Ideal for use with any of the ProTalk Door Entry Systems

For more information visit [www.provu.co.uk/protalk](http://www.provu.co.uk/protalk)